



REV4 NET2 LED CONTROL

Caution | IP | reset

IEVO_BOARD-R4

INPUT A	<input type="radio"/> Rx	OUTPUT A	<input type="radio"/> Reject	<input type="radio"/> GND
	<input type="radio"/> Power		<input type="radio"/> Accept	<input type="radio"/> CK/D1
				<input type="radio"/> D0

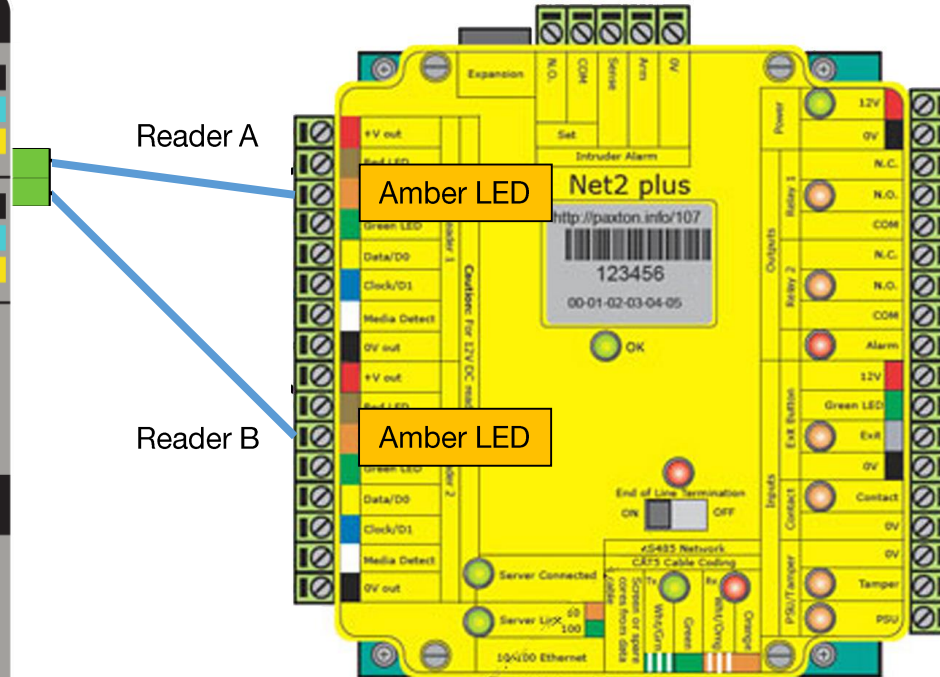
INPUT B	<input type="radio"/> Rx	OUTPUT B	<input type="radio"/> Reject	<input type="radio"/> GND
	<input type="radio"/> Power		<input type="radio"/> Accept	<input type="radio"/> CK/D1
				<input type="radio"/> D0

CPU	<input type="radio"/>	<input type="radio"/>		<input type="radio"/> USB
COMMS	<input type="radio"/>	<input type="radio"/>		
ERROR	<input type="radio"/>	<input type="radio"/>		
IEVO LTD. NE29 7SN. UK www.ievoreader.com				

RoHS Compliant | FC CE | **Made in the UK**

<input type="radio"/> Power In	SERIAL:	<input type="text"/>	Network Out
<input type="radio"/> 12VDC	MAC:	<input type="text"/>	Network In
<input type="radio"/> 5VDC	IP ADDRESS:	<input type="text"/>	Power In
<input type="radio"/> 3.3VDC			
<input type="radio"/> CPU Power			

12-24V AC/DC 1.2A [max]



Requires ievo Main Firmware Version 0.2.15 or higher



Ensure this setting is **ticked** in the Net2 Configuration Utility. Click **Apply**.

The screenshot shows the 'Net2 Server Configuration Utility' window with the 'General' tab selected. The 'General' section contains the following settings:

Setting	Value / Status
Site name	[Empty text box]
Product description	Net2 Lite Upgrade to Net2 Pro
Version	5.03.3903.6184
SQL Tcp port	63923
Polling interleave period	0.5 seconds
Enable server browsing	<input type="checkbox"/>
Display reader LED's in OEM style (not nano's)	<input checked="" type="checkbox"/>
Hide reader LED's (not nano's)	<input type="checkbox"/>
Start Net2 Server automatically at start-up	<input checked="" type="checkbox"/>
Revert tokens to mode 1 operation	<input type="checkbox"/>
Enable commissioning mode	<input checked="" type="checkbox"/>
Allow duplicate PINs	<input type="checkbox"/>
Enable 50,000 user mode	<input type="checkbox"/>
Enable "Buy tokens" link	<input checked="" type="checkbox"/>
Low Power Mode	<input type="checkbox"/>

The 'Com Port Configuration' section includes the following options:

- The server can automatically detect which comports are being used for Access Control. However, you may manually select which comports to use if required.
- Automatically detect comports
- Manually detect comports
- Com 1
- Com 2
- Com 3
- Com 4

Buttons at the bottom: OK, Cancel, Apply.